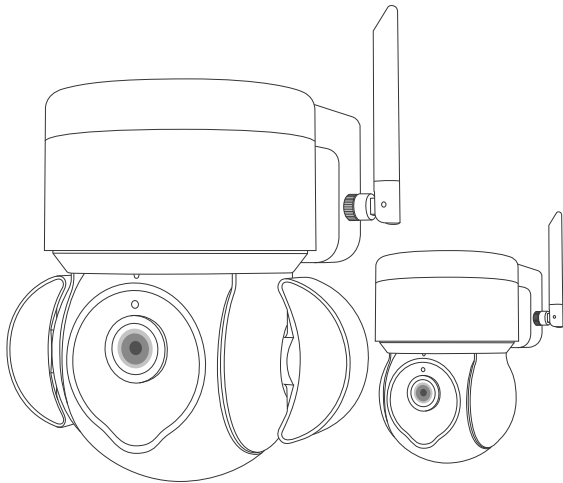


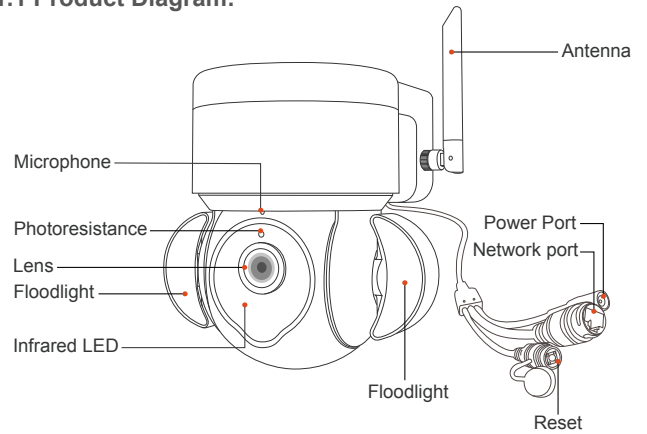
# Floodlight Camera User Manual



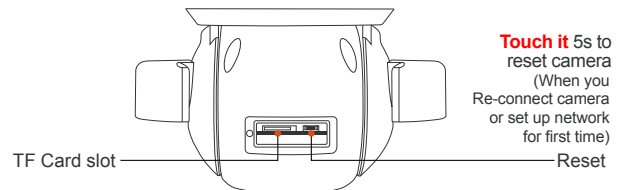
V1.3

## 1. PRODUCTS & PACKING LIST

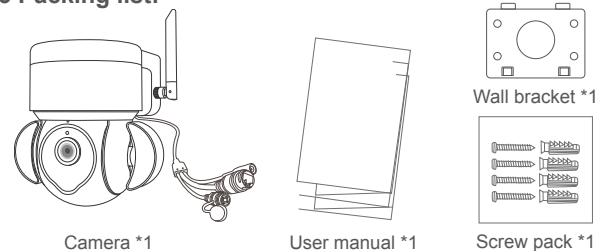
### 1.1 Product Diagram:



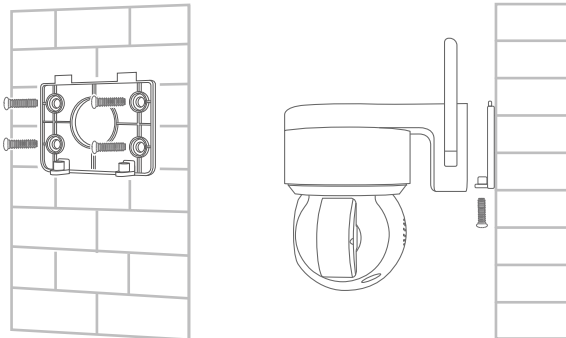
### 1.2 Camera Card Slot:



### 1.3 Packing list:



## 2. INSTALLATION METHOD



2.1 Install the wall bracket

2.2 Install the Camera

## 3. APP REGISTRATION

3.1. Search and download "Tuya" in major application markets or scan the QR code below to download the APP.

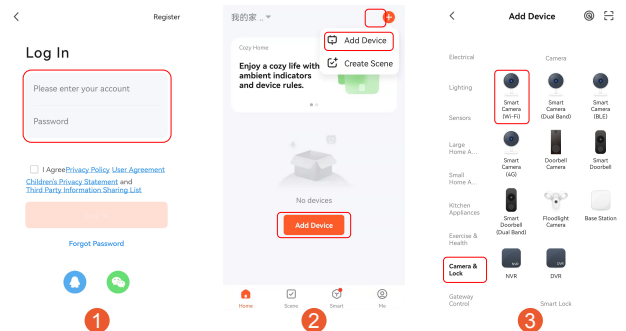


iOS / Android

## 4. CONNECTING THE CAMERA TO YOUR MOBILE DEVICE

4.1. Connect the mobile device to your 2.4GHz Wi-Fi.

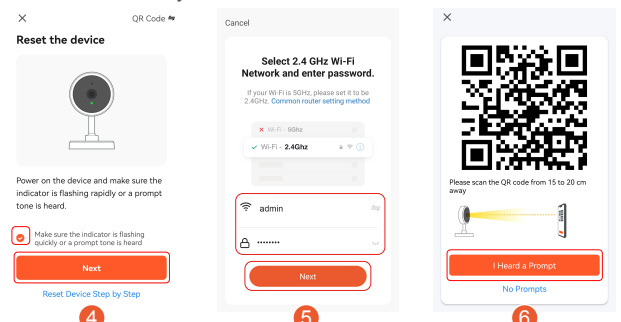
- 1 Login to Tuya App.
- 2 Then click on "Add Device"
- 3 Click "Camera & Lock", Select "Smart Camera(Wi-Fi)".



4.2. 4 Make sure the indicator is flashing quickly or a prompt tone is heard click "Next".

5 Enter Wi-Fi account and password, click "Next".

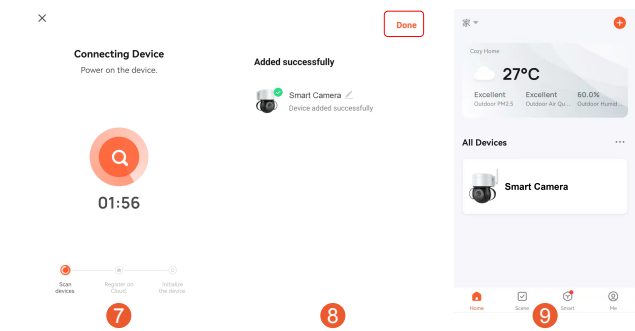
6 scan the QR code from 15-20cm away as shown, hold the phone steady without shaking about 5 seconds, the camera will scan successfully.



4.3. 7 It may take 5-60 seconds for the APP to search for the device on the Internet, and then wait for the connection to complete.

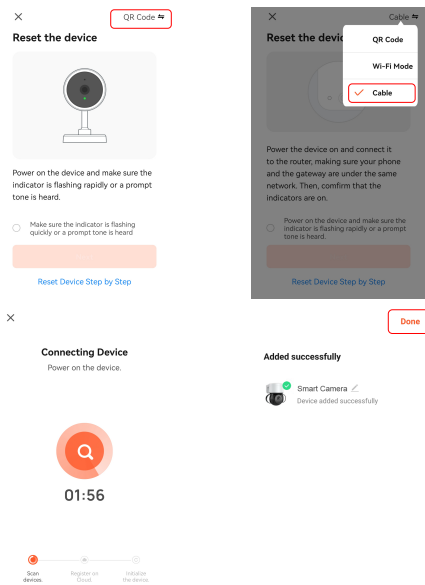
8 Device added successfully. You can select the device name and room scene. Then press "Done".

9 The device will automatically enter the device list. Set up successfully.



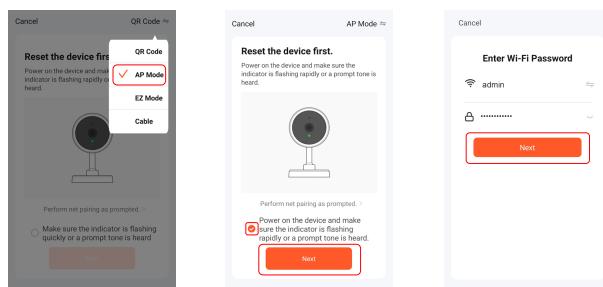
## 5. CONNECTING BY NETWORK CABLE

5.1. If you use NETWORK CABLE connect camera with internet, please select "Cable" for config the camera

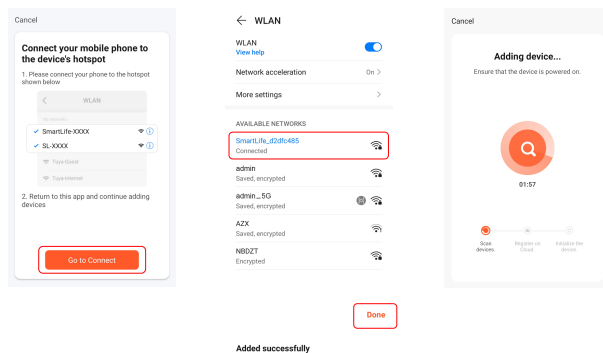


## 6. CONNECTING BY AP HOTSPOT

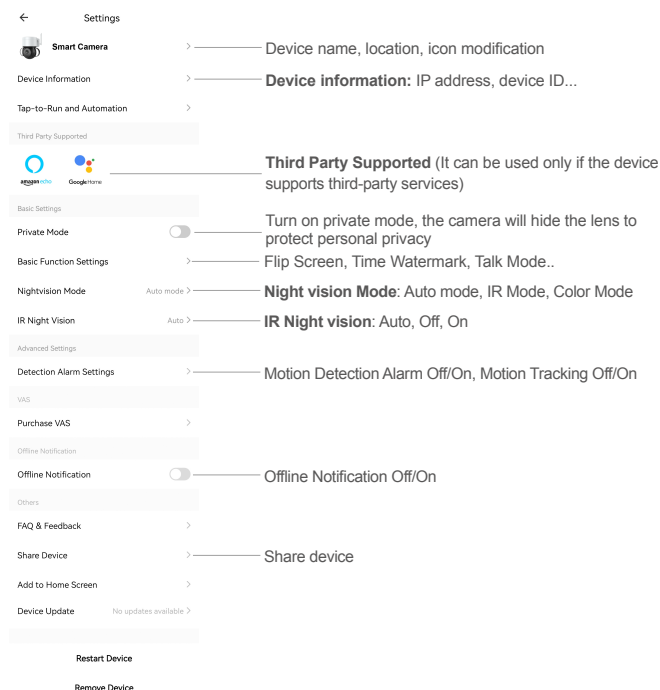
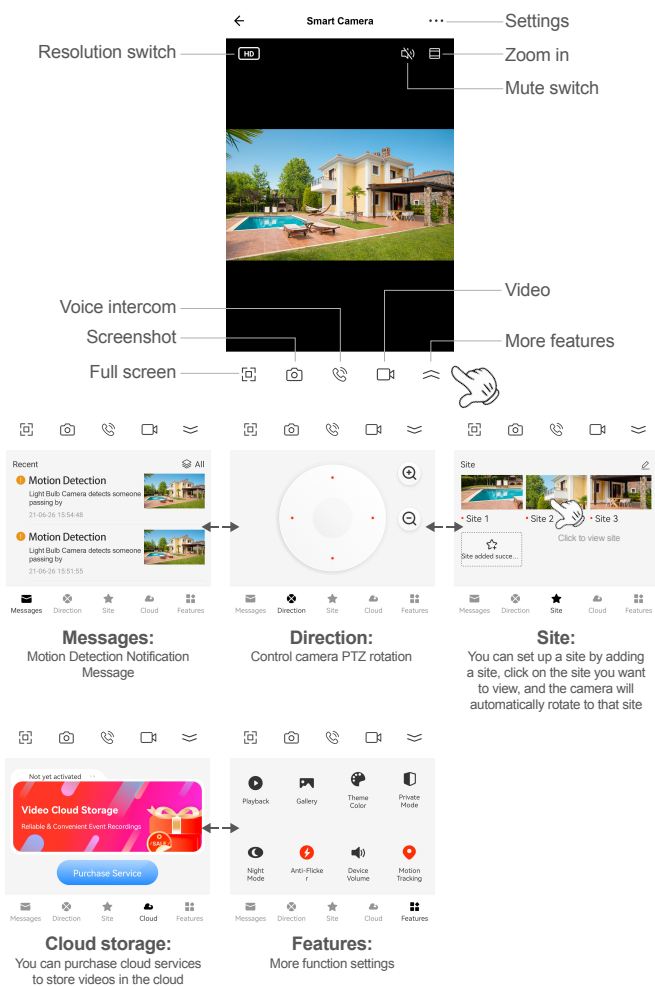
6.1. If you use AP HOTSPOT connect camera with internet, please select "AP Mode" for config the camera



6.2. Open the mobile phone Setting--Wifi list and connect to "SmartLife" hotspot, such as "SmartLife-XXXXXX", Enter the WIFI password "12345678", please wait for 1 minute after connecting to hotspot.



## 7. FUNCTIONS INTRODUCTION



## PC BROWSER TO VIEW THE CAMERA:

<https://ipc.ismartlife.me>

